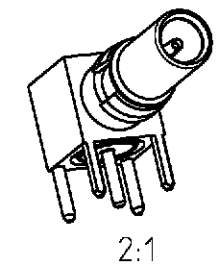
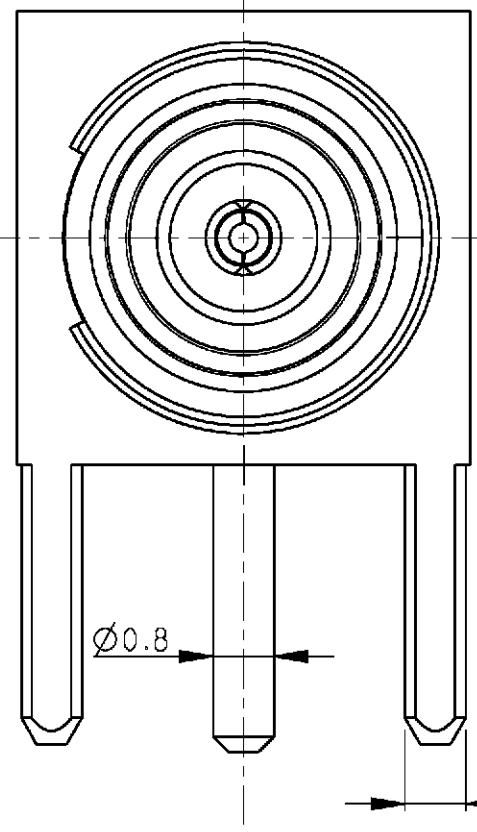
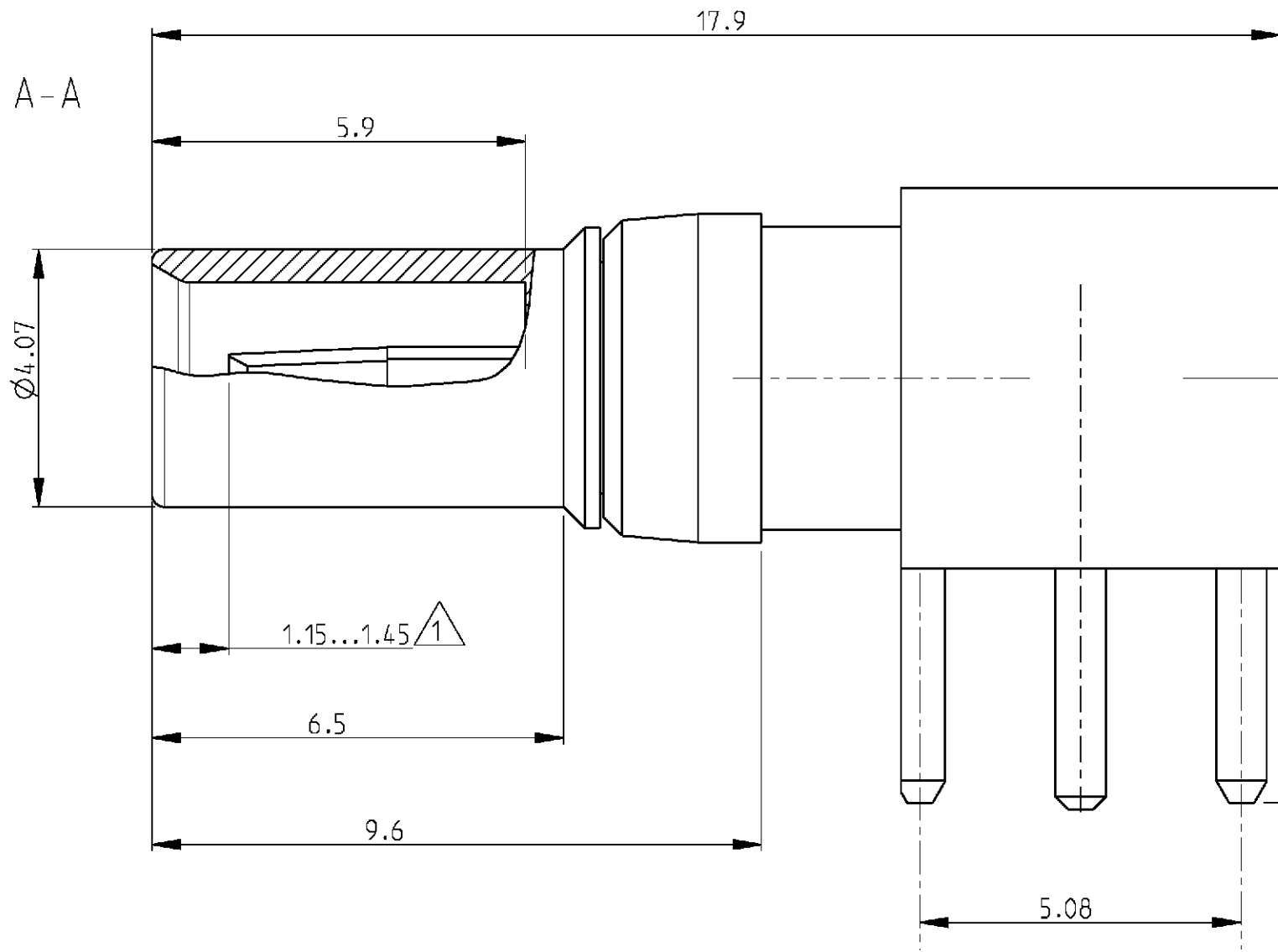


THIS DRAWING IS UNPUBLISHED. RELEASED FOR PUBLICATION 2000
 © COPYRIGHT 2000 BY TYCO ELECTRONICS CORPORATION. ALL RIGHTS RESERVED.

LOC	DIST	REVISIONS				
P	LTR	DESCRIPTION	DATE	DWN	APVD	
GW	-	A1	SR10-0146-01	09APR2001	CM	KM
		B	SR10-0497-02	22NOV2002	KM	KM

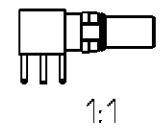


- 3. Application : DIN 41612 type M
- 2. Mating face according to DIN 41626 , Part 2
- △ Control dimension

All dimensions are max dimensions unless otherwise specified

V23601-A1227-E1	1-1393662-4	Dielectric	PTFE	
		Outer Con.	Brass	1µm Au min in contact area
		Center Con.	Cu Be	1µm Au min in contact area
Old Nr	Tyco Nr	Description	Material	Plating

<small>THIS DRAWING IS A CONTROLLED DOCUMENT FOR TYCO ELECTRONICS CORPORATION IT IS SUBJECT TO CHANGE AND THE CONTROLLING ENGINEERING ORGANIZATION SHOULD BE CONTACTED FOR THE LATEST REVISION.</small>	
DIMENSIONS:	TOLERANCES UNLESS OTHERWISE SPECIFIED:
mm	
	0 PLC ±0.5
	1 PLC ±0.13
	2 PLC ±0.013
	3 PLC ±0.0001
	4 PLC ±0.0001
	ANGLES ±
MATERIAL -	FINISH -



DWN MOROBE 04 APR 2001	Tyco Electronics Oostkamp - Belgium	
CHK MATTHEEUWS 9 APR 2001	NAME	
APVD LEEMAN 9 APR 2001	BULKHEAD ANGLE JACK WITH PCB CONNECTION 1.0/2.3 INSERT 50 Ohm	
PRODUCT SPEC 108-71032	SIZE A3	CAGE CODE 00779
APPLICATION SPEC -	DRAWING NO C-1-1393662-4	RESTRICTED TO -
WEIGHT -	SCALE 10/1	SHEET 1 OF 1
		REV B